
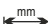



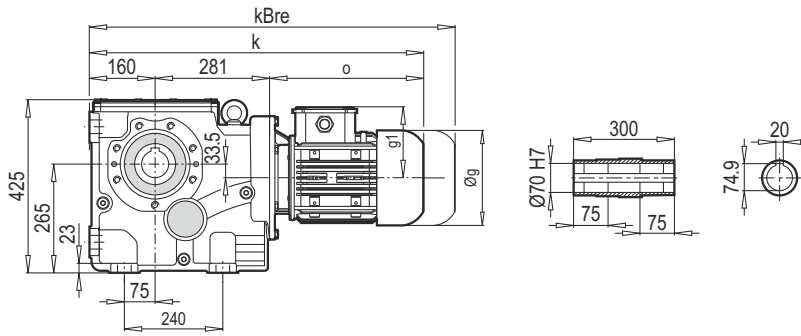
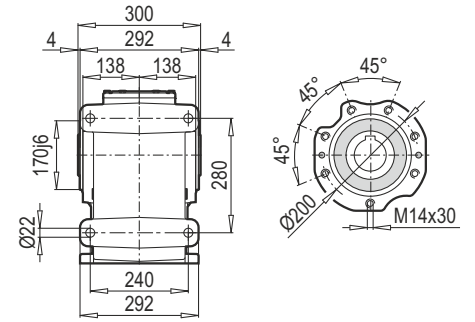


Typ / Type / Tipo / Type / Tipo	iges	4-pol. 50Hz 1400rpm n ₂ [min ⁻¹]	M _{amax} f _B =1 4 - pol. [Nm]	P _{1max} W f _B ≥ 1				PAM - IEC						
				4 - pol. 1400rpm [kW]	FR1 [kN]	FR2 (M) [kN]	FR2 (D,KS) [kN]	f _B ⇒  45 - 86						
K70390	183.27	7.6	5000	4.44	3.8	45.0	45.0	100	112	132				
	162.98	8.6	5000	5.00	3.8	45.0	45.0	100	112	132	160	180		
	146.38	9.6	5000	5.56	3.8	45.0	45.0	100	112	132	160	180		
	W	133.53	10.5	5000	6.10	3.8	45.0	45.0	100	112	132	160	180	
		121.96	11.5	5000	6.68	3.8	45.0	45.0	100	112	132	160	180	
		109.54	12.8	5000	7.43	3.7	43.1	43.1	100	112	132	160	180	
	+	104.68	13.4	5000	7.78	3.7	42.0	42.0	100	112	132			
	PAM - IEC	93.09	15.0	5000	8.75	3.7	39.7	39.7	100	112	132	160	180	
		83.66	16.7	5000	9.73	3.6	37.9	37.9	100	112	132	160	180	200
		76.27	18.4	5000	10.68	3.6	36.0	36.0	100	112	132	160	180	
		69.66	20.1	5000	11.69	3.6	34.4	34.4	100	112	132	160	180	
		63.37	22.1	5000	12.85	3.5	33.0	33.0	100	112	132	160	180	200
		58.32	24.0	5000	13.96	3.5	31.5	31.5	100	112	132	160	180	200
		53.98	25.9	5000	15.09	3.4	30.2	30.2	100	112	132	160	180	200
		51.92	27.0	5000	15.69	3.4	29.8	29.8	100	112	132	160	180	200
		47.78	29.3	5000	17.05	3.4	28.3	28.3	100	112	132	160	180	200
		43.64	32.1	4800	17.92	3.3	27.7	27.7	100	112	132	160	180	200
		39.27	35.6	4800	19.91	3.3	26.3	26.3			132	160	180	200
		36.20	38.7	4800	21.60	3.2	25.0	25.0	100	112	132	160	180	200
		32.18	43.5	4700	23.79	3.1	23.9	23.9			132	160	180	200
		29.66	47.2	4700	25.81	3.0	22.7	22.7	100	112	132	160	180	200
		27.09	51.7	4600	27.66	3.0	21.9	21.9	100	112	132	160	180	200
		24.90	56.2	4600	30.09	2.9	21.0	21.0			132	160	180	200
		22.43	62.4	4400	31.95	2.8	20.3	20.3			132	160	180	200
		20.40	68.6	4000	31.94	2.8	20.8	20.8			132	160	180	200
		18.38	76.2	3600	31.90	2.8	20.9	20.9			132	160	180	200
		16.79	83.4	3200	31.04	2.8	21.3	21.3			132	160	180	200
		14.23	98.4	3100	35.48	2.7	19.9	19.9			132	160	180	200
		11.65	120.1	3100	43.34	2.4	18.0	18.0			132	160	180	200
		10.64	131.5	3000	45.93	2.3	17.5	17.5			132	160	180	200

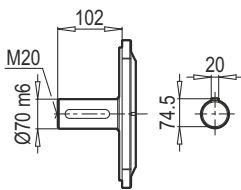
K 70390



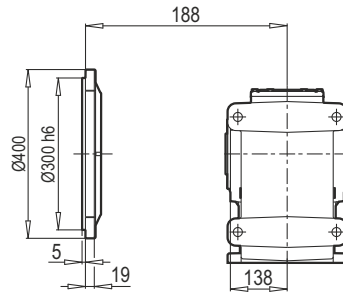
DA / B14



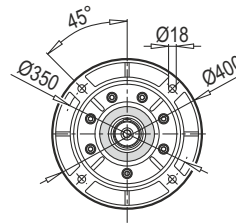
TMG / B5



DG / B5



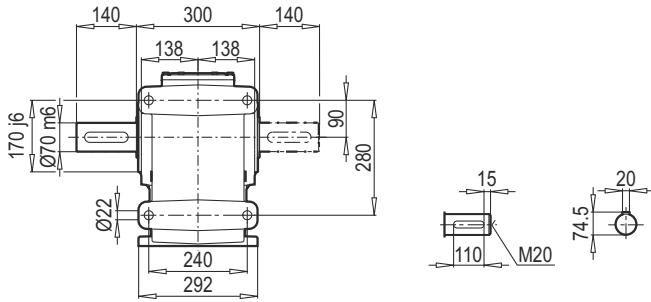
FB



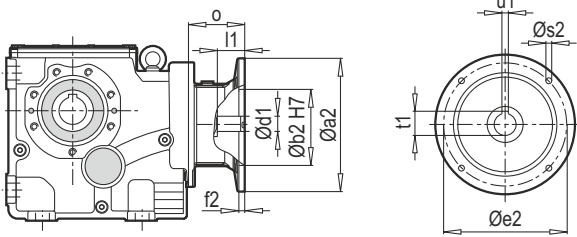
FB

	100L	112M	132S	132M	160M/L	180M/L	200L		
g	217	232	279	279	323	370	415		
g1	160	168	182	182	200	248	260		
k	767	821	827	862	949	1014	1051		
kBre	848	901	935	1003	1101	1176	1198		
o	326	380	386	421	508	573	610		

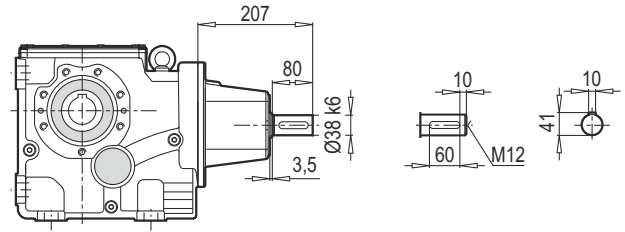
TMA - ÇMA / B14



K 70390 PAM B5/B14



K 70390 W



W ~ Kg	
K 70390	134.5

Typ / Type / Tipo Type / Tipo	PAM B5	Øa2	Øb2	Øe2	f2	Øs2	Ød1	l1	t1	u1	o
K 70390	100	250	180	215	5.5	12	28	62	31.3	8	76
	112	250	180	215	5.5	12	28	62	31.3	8	76
	132	300	230	265	5.5	12	38	82	41.3	10	101
	160	350	250	300	7	16	42	112	45.3	12	148
	180	350	250	300	7	16	48	112	51.8	14	148
	200	400	300	350	7	16	55	112	59.3	16	185

~ Kg	
PAM B5	K 70390
100	129.5
112	129.5
132	132.5
160	138.5
180	138.5
200	154.5

Typ / Type / Tipo Type / Tipo	PAM B14	Øa2	Øb2	Øe2	f2	Øs2	Ød1	l1	t1	u1	o
K 70390	100	160	110	130	3.5	9	28	62	31.3	8	76
	112	160	110	130	3.5	9	28	62	31.3	8	76
	132	200	130	165	3.5	11	38	82	41.3	10	101

~ Kg	
PAM B14	K 70390
100	125
112	125
132	131