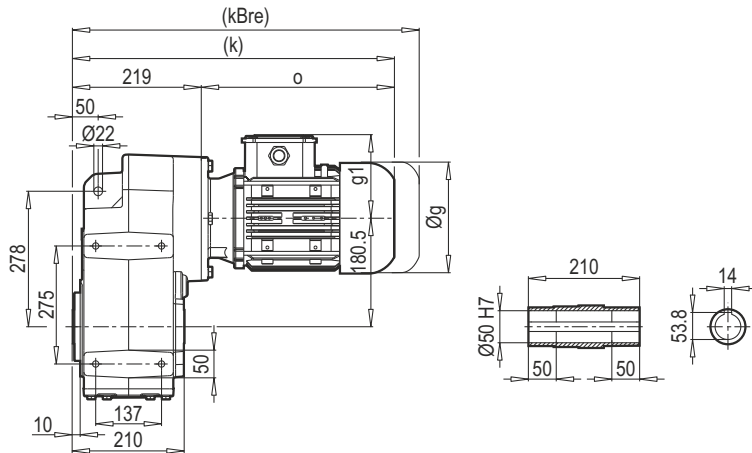
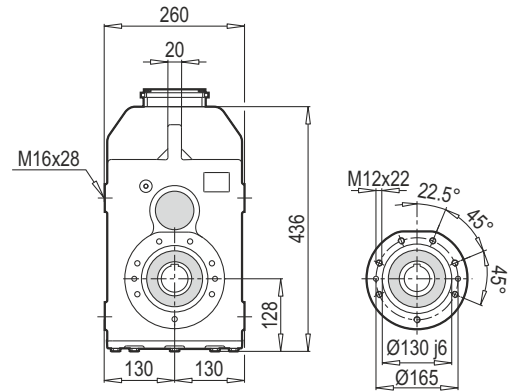


Typ / Type / Tipo / Type / Tipo	iges	4-pol 50Hz 1400rpm n2 [min-1]	Mamax f <sub>B</sub> =1 4 - pol. [Nm]	P <sub>1max</sub> W f <sub>B</sub> ≥ 1				PAM - IEC									
				4 - pol. 1400rpm [kW]	FR1 [kN]	FR2 (M) [kN]	FR2 (D,KS) [kN]	f <sub>B</sub> →  43 - 76									
<b>D 503</b> <b>M 503</b> W  85 + PAM - IEC  85	394.32	3.6	1600	0.62	2.9	22.0	9.0	71	80	90							
	345.35	4.1	1600	0.71	2.9	22.0	9.0	71	80	90							
	320.49	4.4	1600	0.76	2.9	22.0	9.0	71	80	90							
	274.13	5.1	1600	0.89	2.9	22.0	9.0	71	80	90	100	112					
	222.80	6.3	1600	1.10	2.8	22.0	9.0	71	80	90	100	112					
	203.06	6.9	1600	1.21	2.8	22.0	9.0	71	80	90	100	112					
	173.97	8.0	1600	1.41	2.8	22.0	9.0	71	80	90	100	112					
	141.39	9.9	1600	1.73	2.7	22.0	9.0	71	80	90	100	112					
	128.86	10.9	1600	1.90	2.7	22.0	9.0	71	80	90	100	112					
	110.73	12.6	1600	2.21	2.7	22.0	9.0	71	80	90	100	112					
	100.51	13.9	1600	2.44	2.6	22.0	9.0		80	90	100	112					
	81.69	17.1	1600	3.01	2.6	22.0	9.0		80	90	100	112					
	74.45	18.8	1600	3.29	2.5	22.0	9.0		80	90	100	112					
	<b>D 502</b> <b>M 502</b> W  85 + PAM - IEC  85	66.83	21.0	1600	3.53	2.5	22.0	8.8	80	90	100	112					
58.50		23.9	1600	4.03	2.4	22.0	8.4	80	90	100	112						
54.31		25.8	1300	3.53	2.5	22.0	8.4	80	90	100	112						
46.39		30.2	1600	5.08	2.2	22.0	7.7	80	90	100	112	132					
43.33		32.3	1300	4.42	2.3	22.0	7.7	80	90	100	112						
37.70		37.1	1500	5.86	2.1	22.0	7.2	80	90	100	112	132					
34.36		40.7	1400	6.00	2.1	22.0	7.0	80	90	100	112	132					
31.86		43.9	1500	6.93	2.0	22.0	6.7	80	90	100	112	132					
29.36		47.7	1500	7.52	1.9	22.0	6.5	80	90	100	112	132					
25.89		54.1	1500	8.53	1.7	21.8	6.2	80	90	100	112	132					
23.86		58.7	1500	9.25	1.6	21.1	6.0	80	90	100	112	132					
21.75		64.4	1400	9.47	1.6	20.6	5.9	80	90	100	112	132					
18.67		75.0	1400	11.03	1.4	19.4	5.5	80	90	100	112	132					
16.88		83.0	1300	11.30	1.3	18.9	5.4	80	90	100	112	132	160				
13.72		102.1	1200	12.84	1.1	17.7	5.1	80	90	100	112	132	160				
12.50		112.0	1000	11.74	1.2	17.6	5.0	80	90	100	112	132	160				
10.63		131.7	950	13.06	1.1	16.7	4.8	80	90	100	112	132	160				
8.64		162.0	900	15.23	0.7	15.6	4.5	80	90	100	112	132	160				
7.88	177.8	850	15.78	0.6	15.2	4.3	80	90	100	112	132	160					

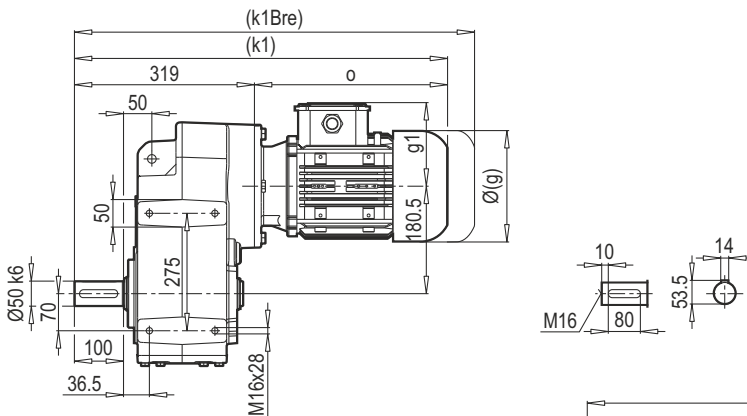
**D 502-503**



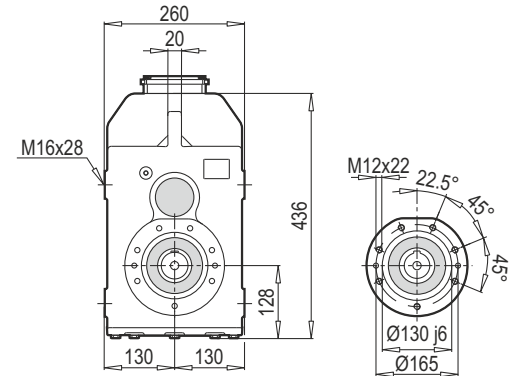
**D 502-503...B14**



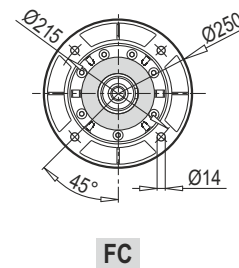
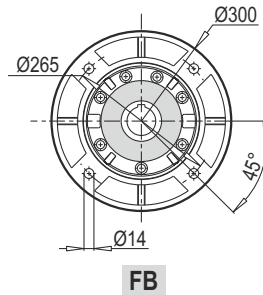
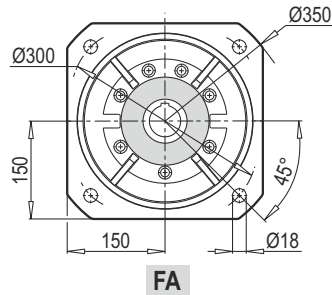
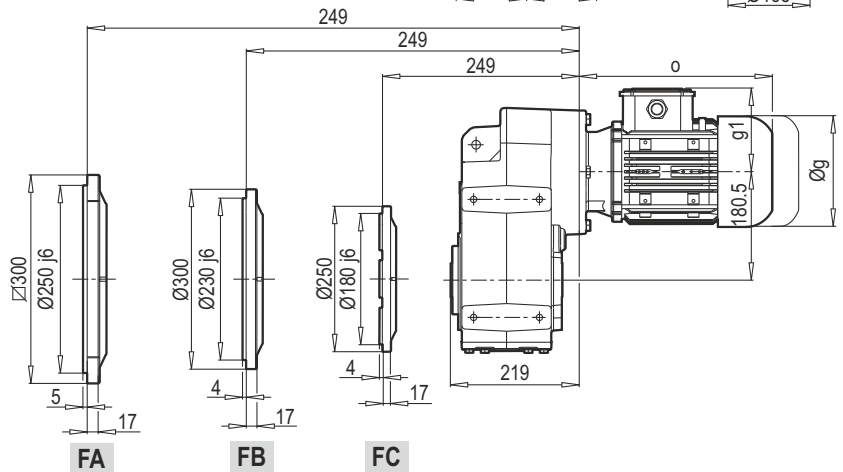
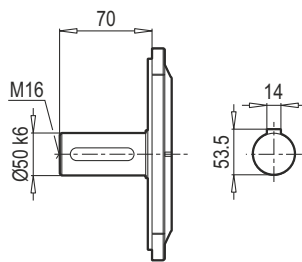
**M 502-503**



**M 502-503...B14**

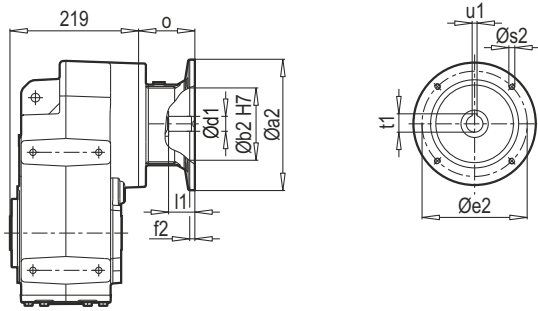


**D/M 502-503...B5**

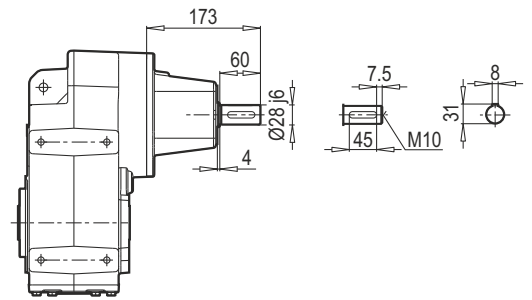


	71M	80M	90S	90L	100L	112M	132S	132M	160M/L
<b>g</b>	140	159	193	193	217	232	279	279	323
<b>g1</b>	119	127	151	151	160	168	182	182	200
<b>k/k1</b>	440/540	466/566	512/612	532/632	555/655	608/708	615/715	650/750	737/837
<b>kBre/k1Bre</b>	500/600	528/628	585/685	605/705	636/736	688/788	723/823	791/890	889/989
<b>o</b>	221	247	293	313	336	389	396	431	518

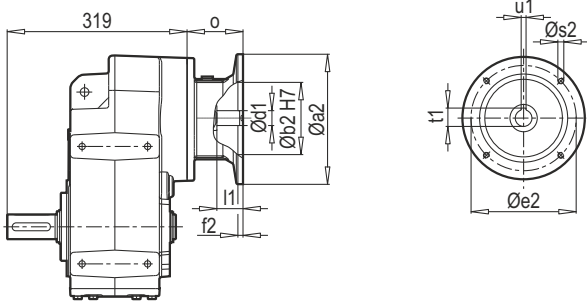
**D 502-503 PAM B5/B14**



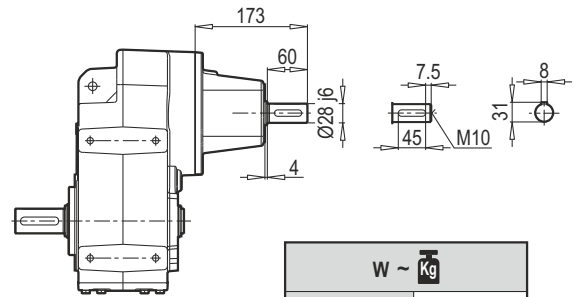
**D 502-503 W**



**M 502-503 PAM B5/B14**

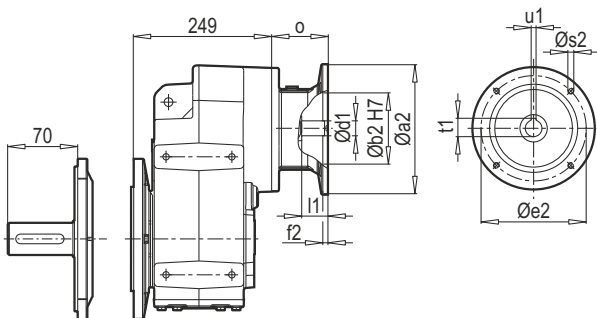


**M 502-503 W**

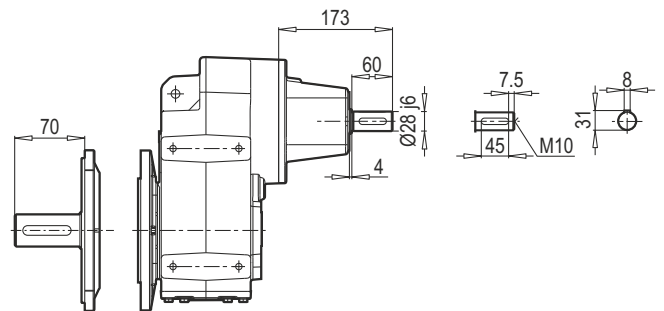


W ~ Kg	
D/M 502 - 503	50

**D/M 502-503 B5 PAM B5/B14**



**D/M 502-503 B5 W**



Typ / Type / Tipo Type / Tipo	PAM B5	Øa2	Øb2	Øe2	f2	Øs2	Ød1	l1	t1	u1	o
D/M 502 - 503	71	160	110	130	5	8	14	32	16.3	5	49
	80	200	130	165	5	10	19	42	21.8	6	70
	90	200	130	165	5	10	24	52	27.3	8	70
	100	250	180	215	5.5	12	28	62	31.3	8	85
	112	250	180	215	5.5	12	28	62	31.3	8	85
	132	300	230	265	5.5	12	38	82	41.3	10	110
	160	350	250	300	7	16	42	112	45.3	12	158

~ Kg		
PAM B5	D/M 502	D/M 503
71	-	45
80	48	48
90	48	48
100	50	50
112	50	50
132	54	-
160	61	-

Typ / Type / Tipo Type / Tipo	PAM B14	Øa2	Øb2	Øe2	f2	Øs2	Ød1	l1	t1	u1	o
D/M 502 - 503	71	105	70	85	2.5	7	14	32	16.3	5	49
	80	120	80	100	3	7	19	42	21.8	6	70
	90	140	95	115	3	9	24	52	27.3	8	70
	100	160	110	130	3.5	9	28	62	31.3	8	85
	112	160	110	130	3.5	9	28	62	31.3	8	85
	132	200	130	165	3.5	11	38	82	41.3	10	110

~ Kg	
PAM B14	D/M 502 - 503
71	43
80	44
90	44
100	46
112	46
132	51