




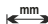

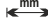

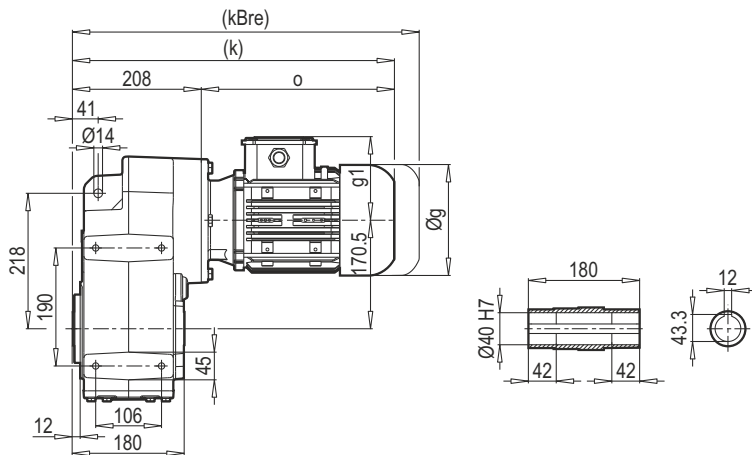
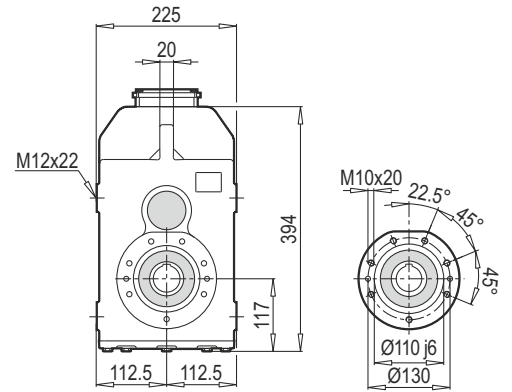


Typ / Type / Tipo / Type / Tipo	iges	4-pol 50Hz 1400rpm n <sub>2</sub> [min-1]	M <sub>amax</sub> f <sub>B</sub> =1 4 - pol. [Nm]	P <sub>1max</sub> W f <sub>B</sub> ≥ 1				PAM - IEC									
				4 - pol. 1400rpm [kW]	FR1 [kN]	FR2 (M) [kN]	FR2 (D,KS) [kN]	f <sub>B</sub> →  43 - 76									
<b>D 403</b> <b>M 403</b> W   83 + PAM - IEC   83	360.25	3.9	1000	0.42	2.9	18.0	7.2	71	80	90							
	315.51	4.4	1000	0.48	2.9	18.0	7.2	71	80	90							
	292.09	4.8	1000	0.52	2.9	18.0	7.2	71	80	90							
	250.44	5.6	1000	0.61	2.9	18.0	7.2	71	80	90							
	203.06	6.9	1000	0.75	2.9	18.0	7.2	71	80	90							
	184.83	7.6	1000	0.82	2.9	18.0	7.2	71	80	90							
	158.93	8.8	1000	0.96	2.8	18.0	7.2	71	80	90							
	128.86	10.9	1000	1.19	2.8	18.0	7.2	71	80	90							
	117.30	11.9	1000	1.30	2.8	18.0	7.2	71	80	90							
	91.83	15.2	1000	1.67	2.7	18.0	7.2		80	90	100	112					
	74.45	18.8	1000	2.06	2.7	18.0	7.2		80	90	100	112					
	67.77	20.7	1000	2.26	2.6	18.0	7.2		80	90	100	112					
	<b>D 402</b> <b>M 402</b> W   83 + PAM - IEC   83	61.05	22.9	1000	2.41	2.6	18.0	7.1	80	90	100	112					
		53.44	26.2	1000	2.75	2.6	18.0	6.7	80	90	100	112					
49.50		28.3	1000	2.98	2.5	18.0	6.5	80	90	100	112						
42.38		33.0	1000	3.48	2.5	18.0	6.2	80	90	100	112	132					
39.44		35.5	1000	3.73	2.4	18.0	6.0	80	90	100	112						
34.36		40.7	1000	4.28	2.3	18.0	5.7	80	90	100	112	132					
31.28		44.8	1000	4.71	2.3	18.0	5.5	80	90	100	112	132					
28.22		49.6	900	4.69	2.3	18.0	5.4	80	90	100	112	132					
26.83		52.2	900	4.94	2.2	18.0	5.3	80	90	100	112	132					
23.60		59.3	800	4.99	2.2	17.8	5.1	80	90	100	112	132					
21.75		64.4	800	5.41	2.2	17.3	4.9	80	90	100	112	132					
19.80		70.7	770	5.72	2.1	16.8	4.8	80	90	100	112	132					
16.99		82.4	770	6.66	2.0	15.8	4.5	80	90	100	112	132					
15.42		90.8	770	7.33	1.9	15.3	4.4	80	90	100	112	132					
12.50		112.0	750	8.80	1.6	14.1	4.0	80	90	100	112	132					
11.38		123.0	700	9.03	1.6	13.8	3.9	80	90	100	112	132					
9.71		144.1	650	9.78	1.5	13.2	3.8	80	90	100	112	132					
7.88		177.8	600	11.13	1.3	12.3	3.5	80	90	100	112	132					
7.17	195.3	550	11.21	1.3	12.0	3.4	80	90	100	112	132						

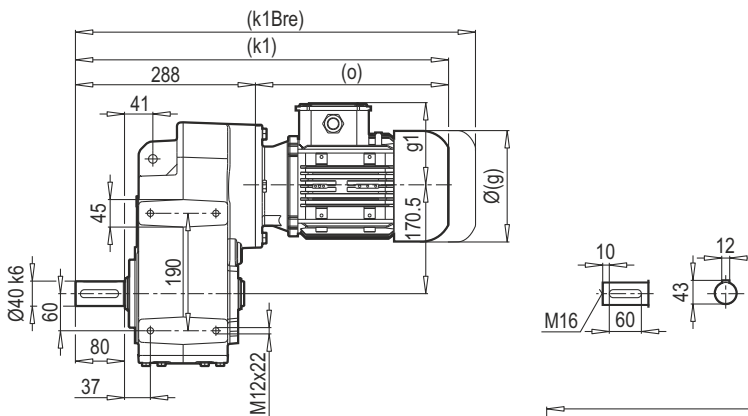
**D 402-403**



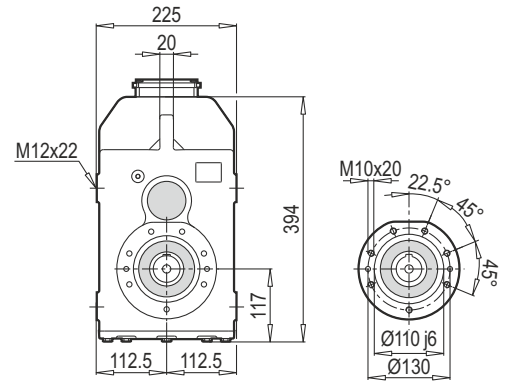
**D 402-403...B14**



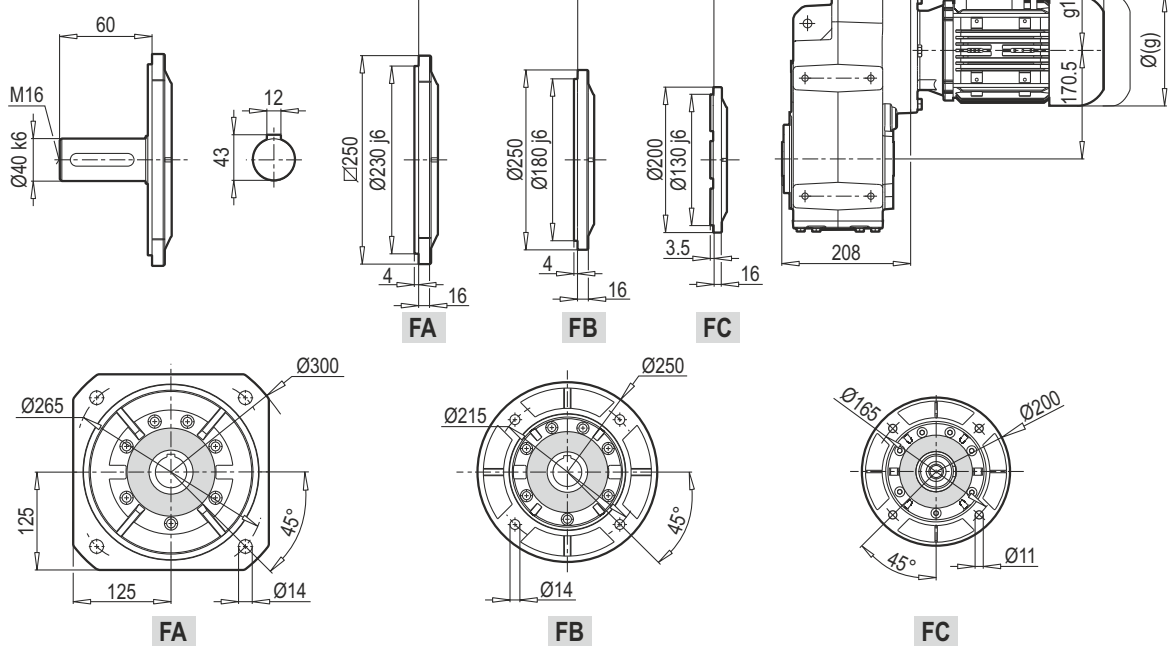
**M 402-403**



**M 402-403...B14**

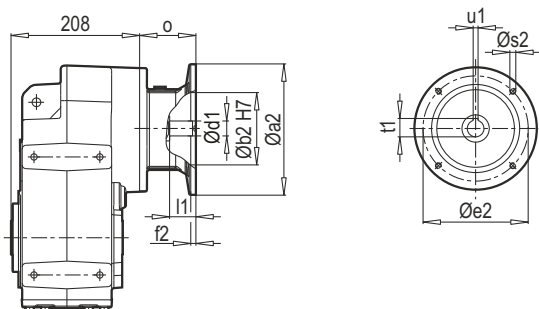


**D/M 402-403...B5**

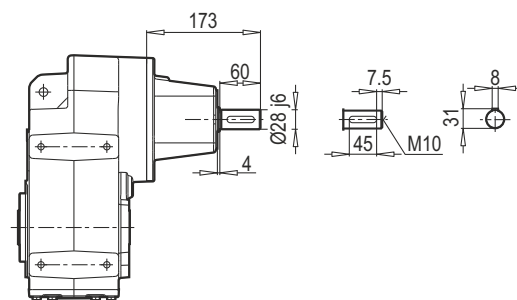


	71M	80M	90S	90L	100L	112M	132S	132M	
<b>g</b>	140	159	193	193	217	232	279	279	
<b>g1</b>	119	127	151	151	160	168	182	182	
<b>k/k1</b>	429/509	455/535	501/581	521/601	544/624	597/677	604/684	639/719	
<b>kBre/k1Bre</b>	489/569	517/597	574/654	594/674	625/705	677/757	712/792	780/860	
<b>o</b>	221	247	293	313	336	389	396	431	

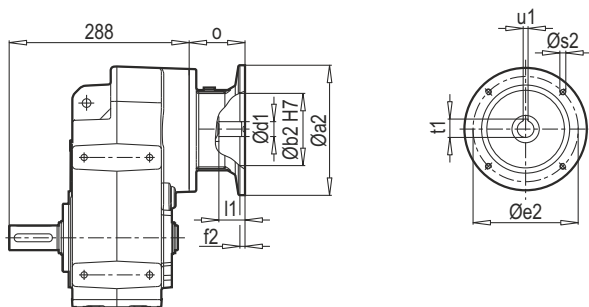
**D 402-403 PAM B5/B14**



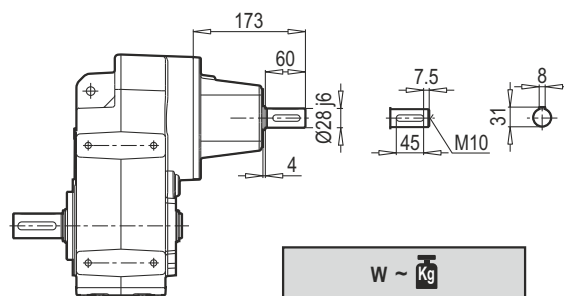
**D 402-403 W**



**M 402-403 PAM B5/B14**

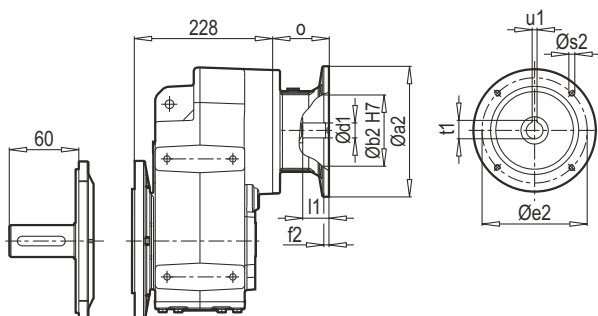


**M 402-403 W**

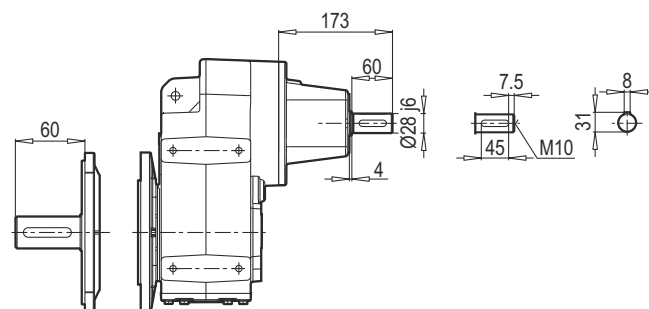


W ~ Kg	
D/M 402 - 403	39

**D/M 402-403 B5 PAM B5/B14**



**D/M 402-403 B5 W**



Typ / Type / Tipo Type / Tipo	PAM B5	Øa2	Øb2	Øe2	f2	Øs2	Ød1	l1	t1	u1	o
80	200	130	165	5	10	19	42	21.8	6	70	
90	200	130	165	5	10	24	52	27.3	8	70	
100	250	180	215	5.5	12	28	62	31.3	8	85	
112	250	180	215	5.5	12	28	62	31.3	8	85	
132	300	230	265	5.5	12	38	82	41.3	10	110	

~ Kg		
PAM B5	D/M 402	D/M 403
71	-	34
80	37	37
90	37	37
100	39	39
112	39	39
132	43	-

Typ / Type / Tipo Type / Tipo	PAM B14	Øa2	Øb2	Øe2	f2	Øs2	Ød1	l1	t1	u1	o
80	120	80	100	3	7	19	42	21.8	6	70	
90	140	95	115	3	9	24	52	27.3	8	70	
100	160	110	130	3.5	9	28	62	31.3	8	85	
112	160	110	130	3.5	9	28	62	31.3	8	85	
132	200	130	165	3.5	11	38	82	41.3	10	110	

~ Kg	
PAM B14	D/M 402 - 403
71	32
80	33
90	33
100	35
112	35
132	41