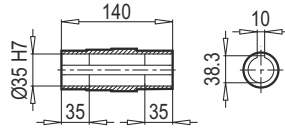
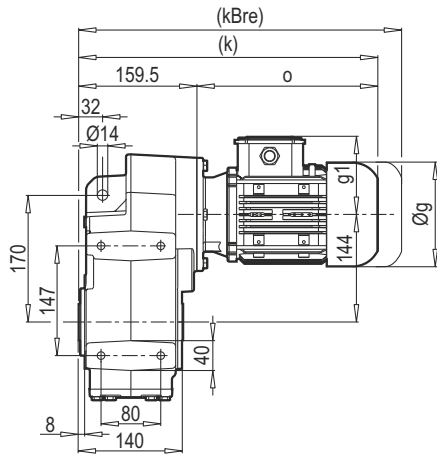
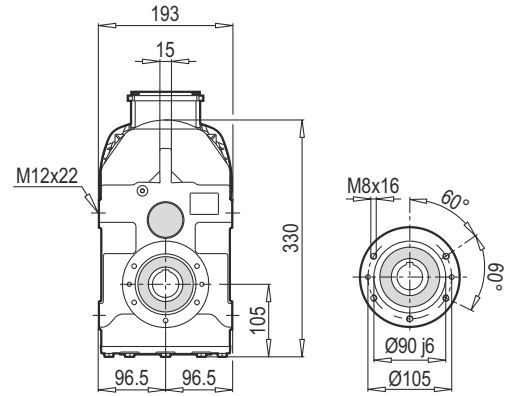


Typ / Type / Tipo / Type / Tipo	iges	4-pol 50Hz 1400rpm n ₂ [min-1]	M _{amax} f _B =1 4 - pol. [Nm]	P _{1max} W f _B ≥ 1				PAM - IEC									
				4 - pol. 1400rpm [kW]	FR1 [kN]	FR2 (M) [kN]	FR2 (D,KS) [kN]	f _B → 43 - 76									
D 353 M 353 + 	267.38	5.2	600	0.34	1.4	10.0	4.0	63	71								
	217.97	6.4	600	0.42	1.3	10.0	4.0	63	71								
	185.05	7.6	600	0.50	1.3	10.0	4.0	63	71	80	90						
	150.85	9.3	600	0.61	1.3	10.0	4.0	63	71	80	90						
	126.43	11.1	600	0.73	1.3	10.0	4.0	63	71	80	90						
	99.67	14.0	600	0.92	1.3	10.0	4.0	63	71	80	90						
	81.25	17.2	600	1.13	1.2	10.0	4.0	63	71	80	90						
D 352 M 352 + PAM - IEC 	68.49	20.4	600	1.33	1.2	10.0	4.0	71	80	90							
	55.83	25.1	600	1.64	1.1	10.0	4.0	71	80	90							
	54.36	25.8	600	1.68	1.1	9.9	4.0	71	80	90	100	112					
	46.79	29.9	600	1.95	1.1	9.2	3.7	71	80	90							
	44.32	31.6	600	2.06	1.1	9.0	3.6	71	80	90	100	112					
	40.00	35.0	600	2.28	1.0	8.6	3.4	71	80	90	100	112					
	37.14	37.7	600	2.46	1.0	8.3	3.3	71	80	90	100	112					
	34.50	40.6	540	2.38	1.0	8.4	3.3	71	80	90	100	112					
	30.50	45.9	500	2.50	1.0	8.1	3.3	71	80	90	100	112					
	28.13	49.8	480	2.60	1.0	8.0	3.2	71	80	90	100	112					
	25.56	54.8	480	2.86	0.9	7.6	3.1	71	80	90	100	112					
	23.57	59.4	470	3.04	0.9	7.4	3.0	71	80	90	100	112					
	19.93	70.2	460	3.52	0.8	6.9	2.8		80	90	100	112					
	16.25	86.2	450	4.22	0.7	6.3	2.5		80	90	100	112					
	13.62	102.8	420	4.70	0.6	6.0	2.4		80	90	100	112					
	11.99	116.8	390	4.99	0.6	5.8	2.3		80	90	100	112					
	9.77	143.3	360	5.64	0.4	5.5	2.2		80	90	100	112					
	8.19	170.9	330	6.17	0.4	5.2	2.1		80	90	100	112					

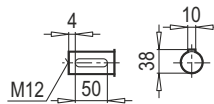
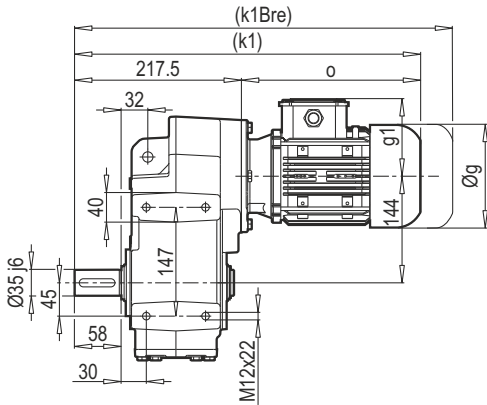
D 352-353



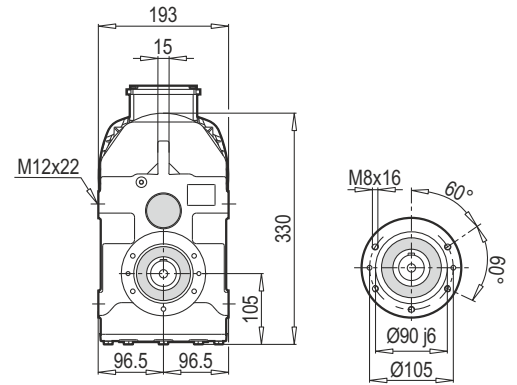
D 352-353 B14



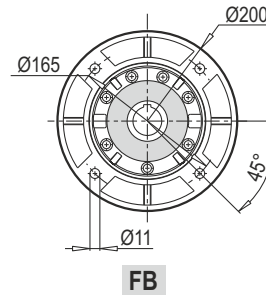
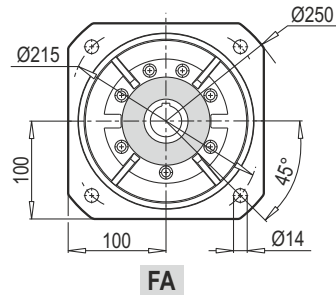
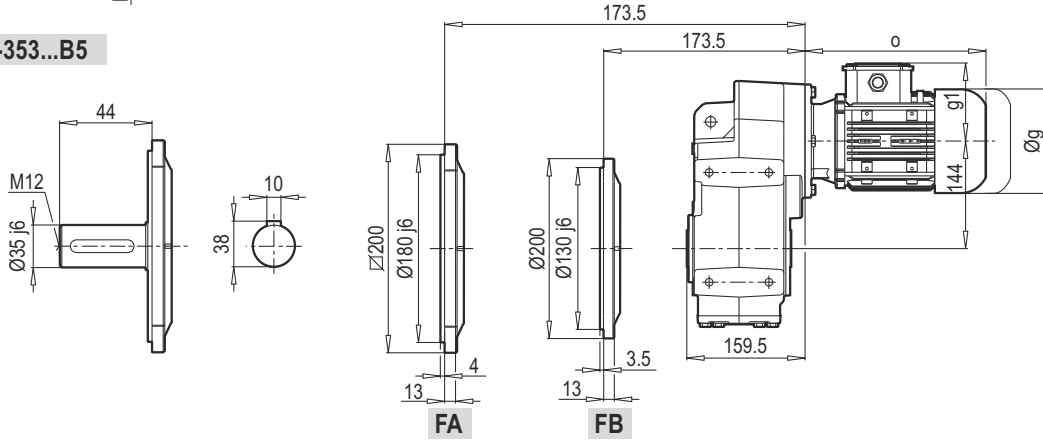
M 352-353



M 352-353...B14

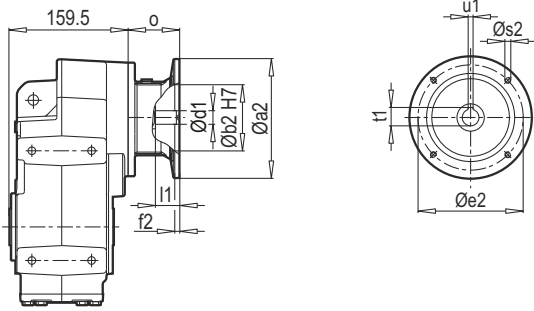


D/M 352-353...B5

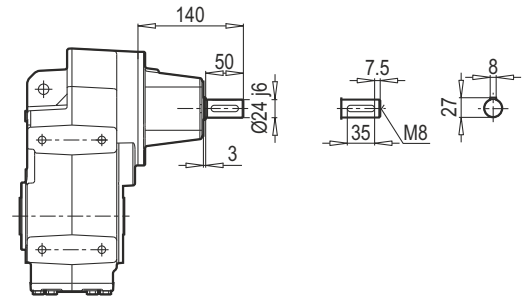


	63M	71M	80M	90S	90L	100L	112M		
g	124	140	159	193	193	217	232		
g1	111	119	127	151	151	160	168		
k/k1	372/430	401/459	427/485	473/531	493/551	494/552	551.5/609.5		
kBre/k1Bre	424/482	461/519	489/547	546/604	566/624	575/633	628/686		
o	212	241	267	313	333	334	393		

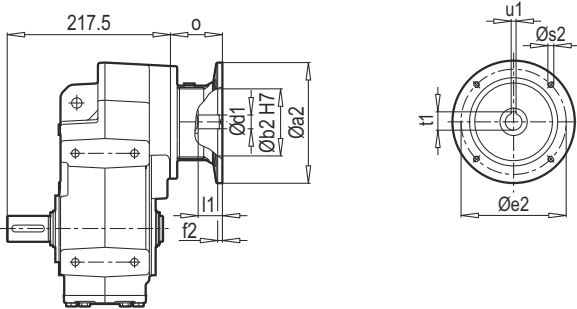
D 352-353 PAM B5/B14



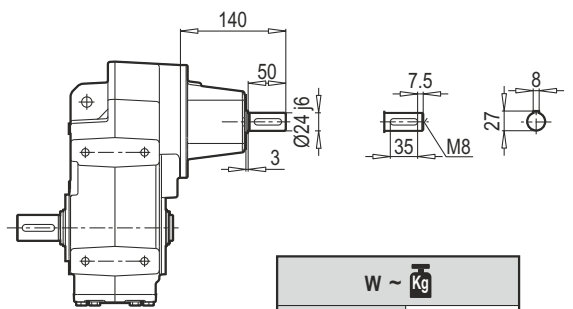
D 352-353 W



M 352-353 PAM B5/B14

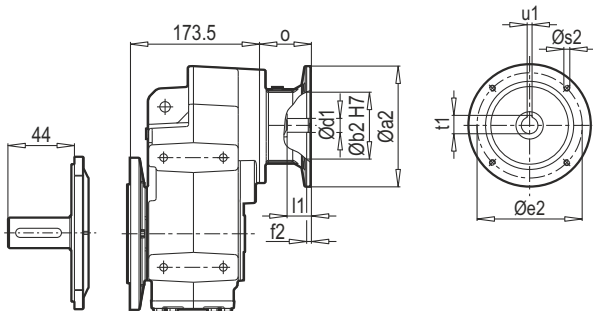


M 352-353 W

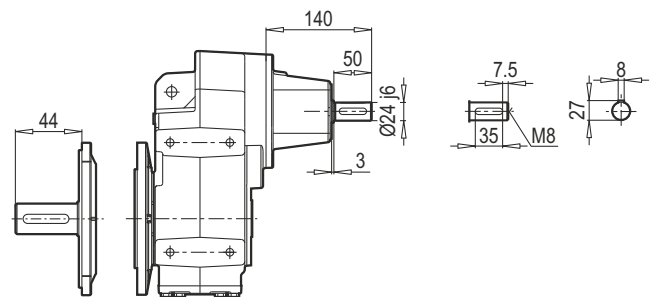


W ~ Kg	
D/M 352 - 353	25

D/M 352-353 B5 PAM B5/B14



D/M 352-353 B5 W



Typ / Type / Tipo Type / Tipo	PAM B5	Øa2	Øb2	Øe2	f2	Øs2	Ød1	l1	t1	u1	o
71	160	110	130	5	8	14	32	16.3	5	69	
80	200	130	165	5	10	19	42	21.8	6	90	
90	200	130	165	5	10	24	52	27.3	8	90	
100	250	180	215	5.5	12	28	62	31.3	8	105	
112	250	180	215	5.5	12	28	62	31.3	8	105	

~ Kg		
PAM B5	D/M 352	D/M 353
63	-	23
71	24	24
80	25	25
90	25	25
100	29	-
112	29	-

Typ / Type / Tipo Type / Tipo	PAM B14	Øa2	Øb2	Øe2	f2	Øs2	Ød1	l1	t1	u1	o
71	105	70	85	2.5	7	14	32	16.3	5	69	
80	120	80	100	3	7	19	42	21.8	6	90	
90	140	95	115	3	9	24	52	27.3	8	90	
100	160	110	130	3.5	9	28	62	31.3	8	105	
112	160	110	130	3.5	9	28	62	31.3	8	105	

~ Kg	
PAM B14	D/M 352 - 353
63	22
71	23
80	24
90	24
100	26
112	26